

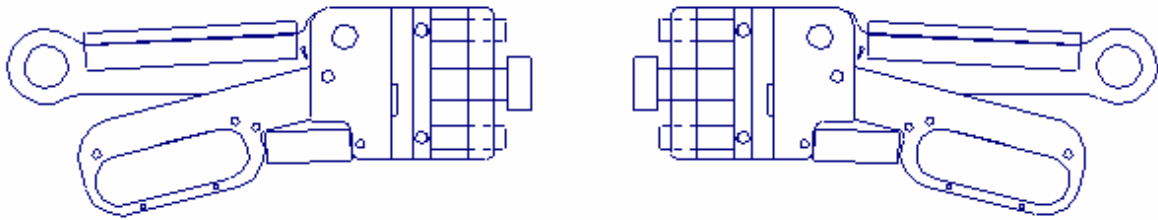
# **Beam Runner™**

## **Anchoring Tool**

### **Instruction Manual**

#### **Model 2200-R**

#### **Model 2200-L**



Thank you for choosing the BEAM RUNNER™ Anchor Tool product. Please be certain to read the SAFETY INSTRUCTIONS and INSTRUCTIONS FOR USE in this manual before using this product. If you have any questions regarding the proper use of this product, please contact BEAM RUNNER™ Customer Service department at (631) 563-0644  
Web site [Beamrunner.com](http://Beamrunner.com)

# 1. SAFETY INSTRUCTIONS

## WARNINGS AND LIMITATIONS

Proper use of any fall arrest system, including those for use with the BEAM RUNNER™ Anchor Tool, can save lives and reduce the potential of serious injury from a fall. Please refer to the INSTRUCTIONS FOR USE set forth below before proceeding to use this product.

ANY person under the influence of alcohol or drugs, persons with physical limitations and/or disabilities, pregnant women, and minors must not use this product.

Proper precautions should always be taken to remove any obstructions, debris, and other material from the work area that could cause injuries or interfere with the operation of the unit. Caution should also be taken to insure that all equipment is clear of all other recognized hazards.

Users should be familiar with pertinent regulations governing this equipment. All individuals who use this product must be correctly instructed and trained on how to use this product and must read and understand all instructions before use. All users must be familiar with and understand all OSHA regulations, ANSI standards, and other relevant regulations and standards pertaining to fall hazards, and the selection, use and maintenance of fall protection equipment.

### **Beam Runner™ used with fall protection equipment.**

Beam Runner is for use by ONE person only. The maximum recommended working load limit is 310 lbs., unless labeled otherwise.

This device should only be attached to a structure capable of supporting at least a 5000 lb. static load per employee in the direction of pull.

The user must be familiar with the instructions of the personal fall arrest equipment to be used with Beam Runner.

Environmental hazards must be considered when selecting fall protection equipment. Consult the manufacturer in case of doubt.

All synthetic material on any fall protection equipment used with the BEAM RUNNER™ Anchor Tool must be protected from slag, hot sparks, open flames, or other heat sources. The use of heat resistant materials is recommended.

This product is designed as an anchoring tool to be used with shock absorbing lanyards and full body harnesses for personal fall protection. Full body harnesses and shock absorbing lanyards are for fall arrest. The use of a shock absorber is recommended to reduce fall arrest forces. Body belts and non-shock absorbing lanyards are for positioning only unless used in conjunction with a shock absorber.

The BEAM RUNNER™ Anchor Tool is designed for use with OSHA compliant fall arrest systems. Substitution or replacement with non-compliant components will endanger the compatibility within the system and affect the reliability and safety of the total system, and void the manufacturer's warranty.

When this device is attached to another product or device, the instructions and warnings provided with that product must also be read, understood and followed.

The user must be aware that forces experienced during the arrest of a fall or prolonged suspension may cause bodily injury. Consult a physician if there is any question about the user's ability to use this product.

Never use the BEAM RUNNER™ Anchor Tool, or any fall protection equipment for purposes other than those for which it was designed.

Beam Runner and fall protection equipment should never be used for hoisting or towing.

To insure that accidental disengagement cannot occur; a competent person must ensure system compatibility.

A competent person on a regular basis must visually inspect all equipment before use. Any product exhibiting deformities, unusual wear, or deterioration must be immediately discarded and replaced.

Equipment must not be altered. Repairs must be performed only by the manufacturer or authorized agent

## **Warnings when using Beam Runner™ with Fall Protection Equipment**

When attaching the BEAM RUNNER™ Anchor Tool to an approved safety harness or fall protection system, use only locking snap hooks or locking carabiners. Never disable or restrict the locking keeper or alter the connecting device in any way.

Always visually check that each snap hook freely engages to the BEAM RUNNER™ Anchor Tool and that its' keeper is completely closed.

Fall protection systems used with this device must be rigged in accordance to regulatory requirements to allow for sufficient clearance in the event of a fall (6' maximum fall distance). Note: Shock absorbers may elongate 3 ½ feet upon activation.

Work directly under the anchor point to avoid the hazards of a swing fall.

Do not attach multiple lanyards to this anchor tool.

Employers must provide for prompt rescue in the event of a fall.

Any equipment subjected to fall arresting forces must be removed from service.

### **Precautions**

Use in a corrosive environment dictates a more frequent inspection program to ensure product integrity.

Synthetic material (holster) must not come in contact with high temperature surfaces, welding equipment, heat sources, electrical hazards, or moving machinery. Use caution when working near or around hazards.

If you have questions regarding compatibility, please contact the BEAM RUNNER™ Customer Service department at (631) 563-0644.

**The BEAM RUNNER™ Anchor Tool is to be used with ENERGY ABSORBERS (DECELERATION DEVICE).**

# INTRODUCTION TO YOUR BEAM RUNNER™

Beam Runner is a clamping device that uses force from a locking piston [actuated by user] on one side of a flange and an adjustable toothed plate on the other.

The flange is pinched between locking piston and tooth plate.

Note the picture below, [figure # 1] squeezing the handles together retracts the locking piston.

The Beam Runner device is then positioned with the edge of a flange between the jaws of the Beam Runner.

Turn the knob of the toothed plate so that the flange is firmly situated between the jaws of the Beam Runner. Then back off the knob 1/2 turn. This allows Beam Runner to accommodate various thicknesses of flanges.

Release the handles. When the handles are released, the piston will clamp the flange.

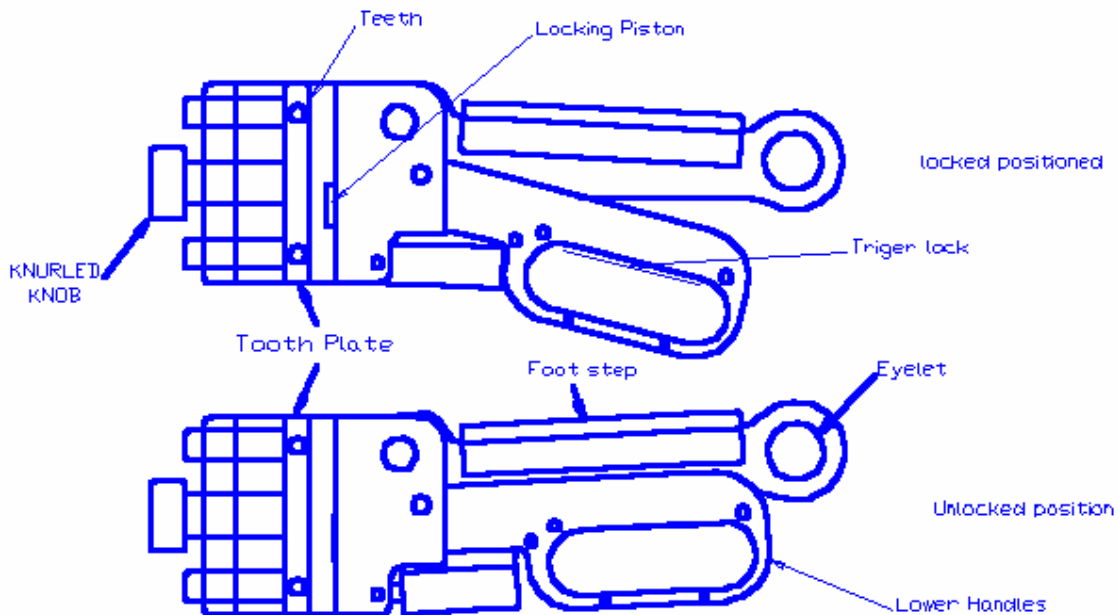
Note, there is a lock inside the handle. When removing Beam Runner, this lock is squeezed as one squeezes the handles. This is designed to prevent accidental disengagement.

**Beam Runner may be used with flanges up to 1 inch thick.**

**Beam Runner requires a flat, parallel surface of a minimum of 1 inch deep.**

Flange material must be structural steel.

**Figure # 1**



# THE HOLSTER IS INSTALLED IN 3 EASY STEPS

**STEP 1** THE 2 INCH STRAP AT THE TOP OF HOLSTER GOES OVER THE WORKERS TOOL BELT. POSITION THE BOTTOM OF THE HOLSTER APROX 1 INCH ABOVE THE WORKERS KNEE. WHEN POSITIONED PRESS STRAP AGANST THE LEG TO LOCK VELCRO STRAP IN PLACE.

**STEP 2** W RAP THE LARGE 5 INCH STRAP AROUND THE THIGH TIGHTLY. PRESS STRAP TO LOCK VELCRO IN PLACE.

**STEP 3** CLIP THE TWO BLACK QUICK RELEASES TOGETHER, THEN ADJUST THE 1 1/2 INCH VELCRO STRAPS TO INSURE HOLSTER IS SNUG TO THE WORKERS THIGH.

**Note:** The plastic box on the holster is adjustable, so the worker can adjust the locking force that holds the tool in place. To adjust remove tool from the holster loosing knurled knob press the box a small amount together then tighten the knob this will make the box smaller and increases the locking force.

# INSTRUCTIONS FOR USE AND INSPECTION

The BEAM RUNNER™ Anchor Tool must be visually inspected prior to every use and replaced if any defective condition exists. Check all hardware for distortions, cracks, bends, breaks, rough or sharp edges, pitted surfaces, unusual wear, loose components, and/or corrosion.

**Check the teeth on the tooth plate to make sure they are sharp not rounded off.**

Note the teeth will eventually wear and have to be replaced. Contact beam runner customer service.

Also inspect for indications of impact loading due to fall and for any deformities of the tool. In addition to the daily inspection, a regularly scheduled inspection by competent supervisory person is recommended.

## Installations of fall arresting system to Beam Runner™

When attaching the BEAM RUNNER™ Anchor Tool to an approved safety harness or fall arresting system, use only locking snap hooks or locking carabiners. Never disable or restrict the locking keeper or alter the connecting device in any way.

Attach the lanyard to the eyelet in the Beam runner handle.

Eyelet with lanyard attached





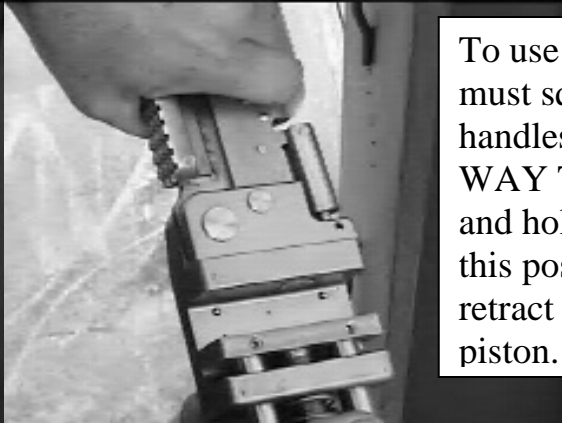
Lanyard should be attached to eyelet at this point. The Lanyard should be placed safely behind you as shown.



# Securing Beam Runner™ to a beam or flange

**NOTE THE TOOL HAS TO BE ADJUSTED FOR EACH SIZE FLANGE.**

If you have any question please feel free to contact BEAM RUNNER™ (631) 563-0644



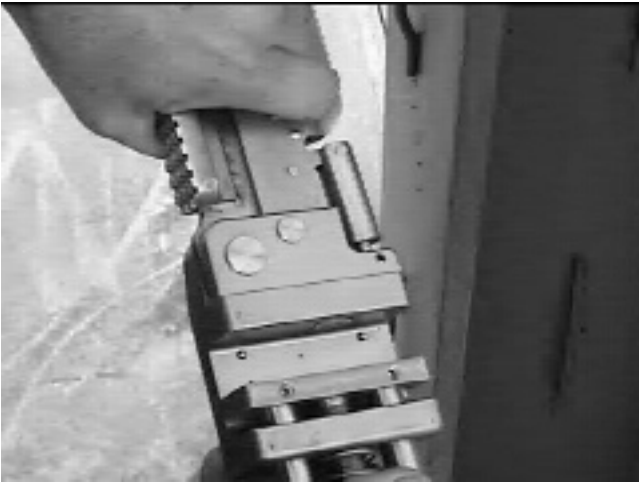
To use this tool you must squeeze the handles **ALL THE WAY TOGETHER**, and hold the handles in this position. This will retract the locking piston.



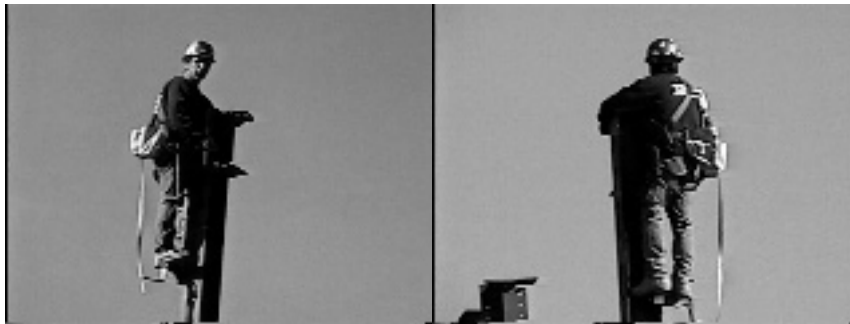
Place the tool on the flange of the I-beam and turn large knurled knob Figure #1 to adjust the tool plate to full tightness on the flange of I-beam then back it off 1/2 turn. Then release the handles. The tool is self-locking.



Top view of Beam Runner correctly attached to I-Beam flange



To remove the tool, squeeze handles together and remove. Place Beam Runner in Holster.



### The Anchor Point is below the worker

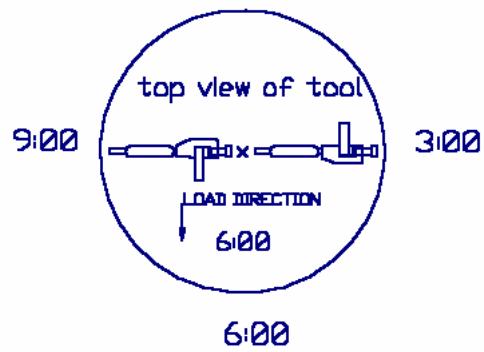
Attention worker must be aware of the position of the lanyard at all times. So not to get entangled in it, especially when worker is using the tool as a step. The worker must realize when standing on top of the tool the distance of a possible fall has increased.

# DO NOT USE IN THIS POSITION



DO NOT USE IN ANY OF THESE POSITION

12:00 O'CLOCK



# TRAINING

It is the responsibility of the user to assure that they read, understand, and follow all instructions and are trained in the proper use and care of this device. Training should be repeated periodically and any time there is a change of components within the system. Training must be conducted without exposing the trainee to a fall hazard.

## MAINTENANCE

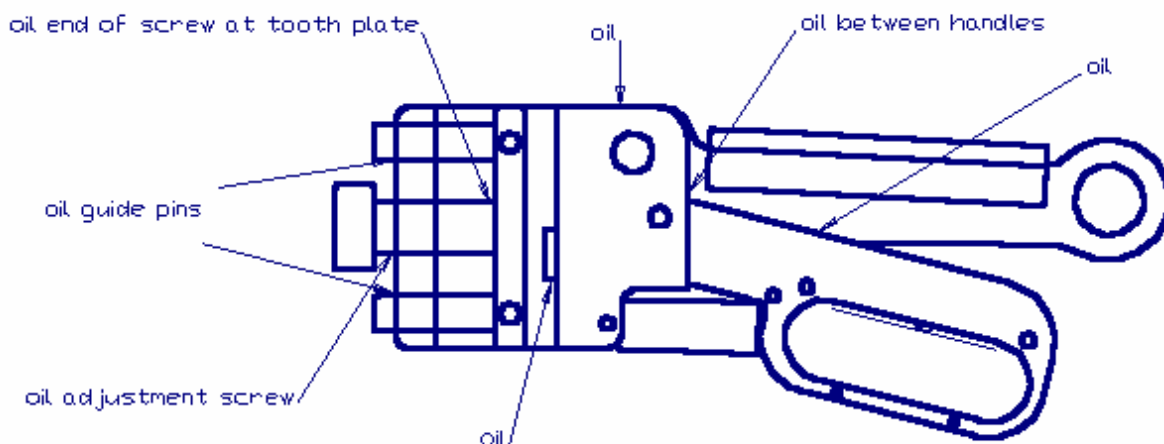
### A. SERVICING

It is recommended that a company safety officer or general foreman maintain a record log of all servicing and inspection dates for this product. This product and all its components **MUST** be withdrawn from service if subjected to fall arresting forces or if the product fails inspection. Contact the BEAM RUNNER™ Customer Service Department at (631) 563-0644 if you have any questions.

### B. CLEANING AND STORAGE

Clean product with a sponge using warm water and mild commercial detergent, air dry. Clean the device to remove any dirt, paint, oil or other materials that may have accumulated. Store in a clean, dry area when not in use.

**ADD LIGHT OIL MONTHLY TO ALL MOVING PARTS, WIPE OFF EXCESS.**



## LIMITED WARRANTY

BEAM RUNNER™ LLC warrants that the BEAM RUNNER™ Anchor Tool is free from defects in materials and workmanship, and conforms to manufacturing specifications in effect at the time the Anchor Tool was manufactured. This limited warranty applies to BEAM RUNNER™ LLC branded Anchor Tools sold by BEAM RUNNER™ LLC or authorized BEAM RUNNER™ Anchor Tools dealers.

During the limited warranty period, at its sole discretion, BEAM RUNNER™ LLC will repair or replace a defective Anchor Tool in accordance with manufacturing specifications.

Unauthorized service, replacement of parts, repairs, or the addition of non-BEAM RUNNER™ parts or accessories to the Anchor Tool voids this warranty.

All other express or implied warranties for the Anchor Tool, including the implied warranties of merchantability and fitness for a particular purpose, as well as any implied warranties that are not stated in this limited warranty, are hereby disclaimed.

BEAM RUNNER™ LLC shall not be liable for damages, for injuries, or death, or for damage to property, resulting from misuse, modifications, or improper or inadequate training in the use of the Anchor Tool.

This limited warranty extends for a period of three years from the date of purchase.

**FAILURE TO OBSERVE THESE SAFETY INSTRUCTIONS AND INSTRUCTIONS FOR USE  
COULD RESULT IN SERIOUS INJURY OR DEATH.**

Some states do not allow the exclusion or limitation of incidental or consequential damages. So the above limitation or exclusion may not apply to you. This warranty gives you specific legal rights, and you may also have other rights in your state. Consult your local or state consumer affairs office or you state's Attorney General.